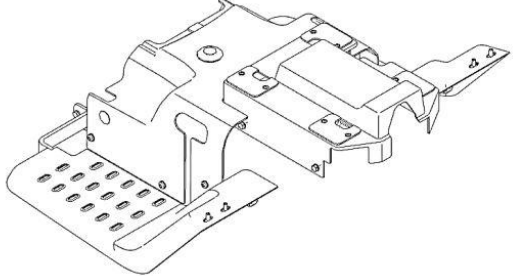


Design Number	396631-001	
Class	03-01	
AJAY KUMAR GARG ENGINEERING COLLEGE 27TH KM MILESTONE, DELHI - MEERUT EXPY, GHAZIABAD, UTTAR PRADESH 201015		
Date of Registration	05/10/2023	
Title	SMART SUITCASE	
Priority NA		
Design Number	396307-001	
Class	15-03	
1. DR R SINGARAVEL DR R SINGARAVEL, PROFESSOR/REGISTRAR, DEPARTMENT OF SOIL SCIENCE AND AGRICULTURAL CHEMISTRY, FACULTY OF AGRICULTURE, ANNAMALAI UNIVERSITY, ANNAMALAINAGAR, TAMILNADU-608002, INDIA 2. DR M SEENIVASAN DR M SEENIVASAN, ASSOCIATE PROFESSOR, DEPUTY DIRECTOR-DDE, DEPARTMENT OF MATHEMATICS, ANNAMALAI UNIVERSITY, TAMILNADU-608002, INDIA 3. ANNAMALAI UNIVERSITY ANNAMALAI UNIVERSITY, ANNAMALAINAGAR, CUDDALORE DISTRICT, TAMILNADU-608002, INDIA		
Date of Registration	29/09/2023	
Title	ORGANIC MANURE SPREADING AGRICULTURAL MACHINE	
Priority NA		
Design Number	345951-001	
Class	12-16	
Mahindra & Mahindra Limited Farm Equipment Sector, Swaraj Division, Phase IV, Industrial Area, S.A.S. Nagar (Mohali)-160055, India		
Date of Registration	08/07/2021	
Title	FLOOR ASSEMBLY OF A VEHICLE	
Priority NA		